

# Spindle motor iSA 1500



## iSA 1500 | Spindle motor with manual tool changer

- robust 2-pole AC motor (asynchronous motor)
- square shape
- protection class IP54, insulation class F
- M23 plug connection
- cast end shield A and B sides
- motor shaft to take ER 20 collets
- incl. ER 20 collet, Ø 6 mm
- clamping range Ø 2 mm – Ø 13 mm
- intrinsic ventilation B-side
- Spindle bearing: 2 spindle bearings A-side (milling side)  
1 bearing B-side (fan side)
- controlled by frequency converter

## Technical specification

Torque [Nm] (at rated speed 22,000 rpm)	0.72
Speed range [U/min.]	5.000 – 20,000
Cut-off frequency* [Hz] / Speed [U/min.]	300 / 18,000
Number of poles	2
Rated voltage [V]	230 (star connection)
Rated current [A]	7.0
Power factor (cos φ)	0.85
Rated power [kW] (S6 = 40% Operation)	1.5
Concentricity [mm]	0.01
Weight [kg]	6.4

\*cut-off frequency = frequency to which the motor effect is designed.

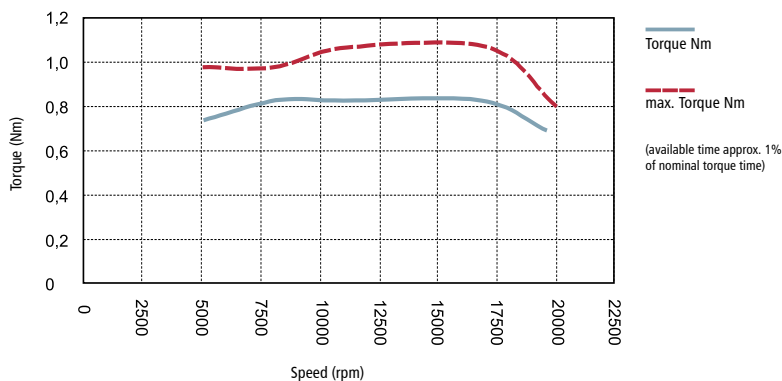
## Options

- sensory module
- CoolMin<sup>®</sup> (internal and external)
- frequency converter SKC 750
- suction device
- various collets ER 20
- mounting plates
- connection cable in different lengths
- sealing air connection

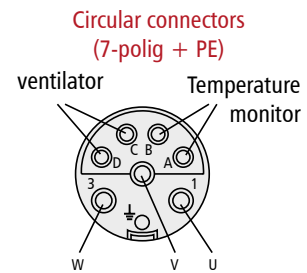


**iSA 1500  
with CoolMin<sup>®</sup> internal**

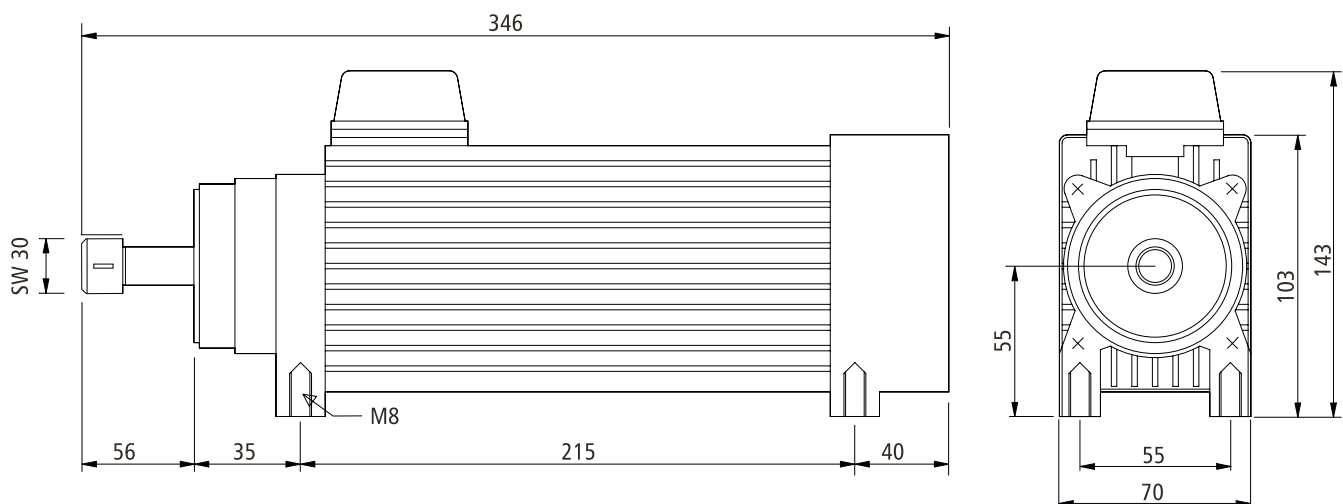
## Torque curves



## Motor connection



## Dimensional drawing



### Order data

Order data		Part no.
Spindle motor iSA 1500	with collet ER 20 (6 mm)	477510 3120
	with converter** and connecting cable (8 m), incl. collet ER 20 (6 mm)	310610 3614
	with CoolMin <sup>®</sup> , incl. collet ER 20 (6 mm)	477510 5120
	with converter** and connecting cable (8 m) and CoolMin <sup>®</sup> , incl. collet ER 20 (6 mm)	310610 3634
Frequency converter	SKC 1500	311715 6000
Collet Set	ER 20 (2.0 / 3.0 / 4.0 / 5.0 / 6.0 / 7.0 / 8.0 / 9.0 / 10.0 / 11.0 / 12.0 / 13.0 mm)	239172 0001
Suction device	prepared for Ø 80 mm hose	239012 0001
	prepared for Ø 80 mm hose, for CoolMin <sup>®</sup>	239012 0011
	prepared for Ø 70 mm hose	239012 0015
Mounting plates isel systems (Z axis)	for EuroMod / FlatCom	277028 0002
	for linear unit LES 5	277028 0003

\*\*converter pre-set for spindle