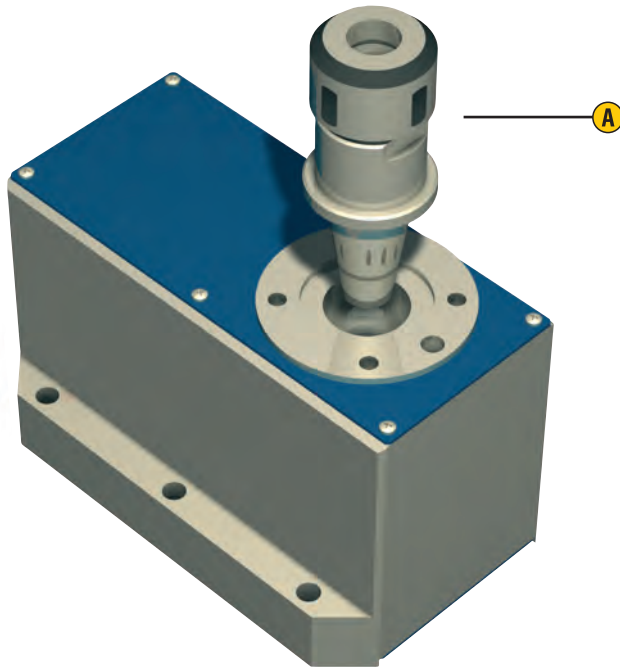


Indexing table

ZR 20



Features

- Low play toothed belt drive with stepper motor
- Reduction 1 : 20
- Shaft with \varnothing 15 mm boring
- Housing flange with inner cone SK 20•
Weight: 2,1 kg

For pin assignment see page 2-112
For transport loads, see page 2-113

Options:

- CNC controller via Sub D

- Ⓐ Collet holder SK 20
(Accessories)

Ordering data

ZR 20 Indexing table
Part no.: **260300 0000**

Technical specification

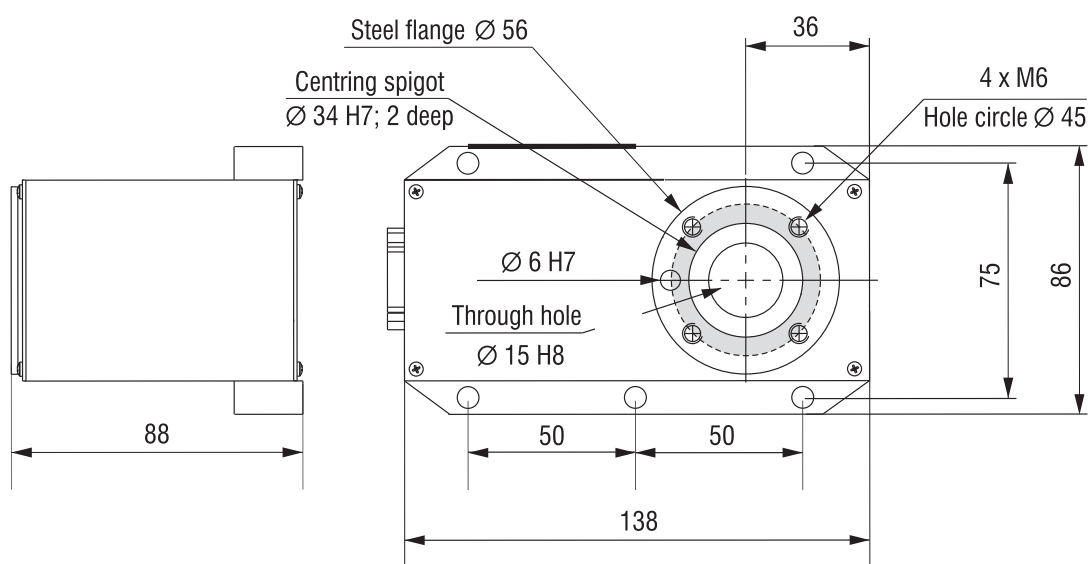
		stepper motor MS 045 HT *
Reduction ratio		1:20
Abtriebsdrehzahl	[1/min]	0 - 60
Operating torque (0 - 1600 Hz)	[Nm]	8
Rated holding torque (static load)	[Nm]	14
Min. step (positional accuracy)	[arcmin]	3.5
Weight	[kg]	2.1

* Values for half-step operation

Accessories

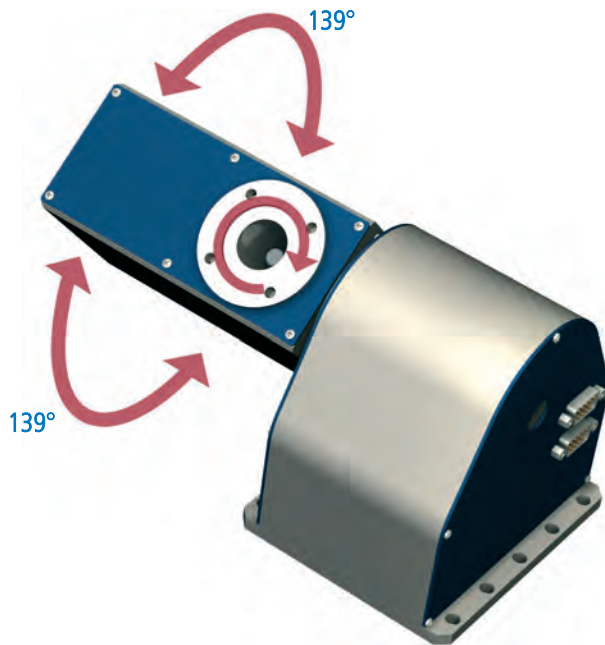
see rotary tilting unit ZDS 2030

dimensioned drawing



Rotary tilting unit

ZDS 2030



General

The **rotary tilting unit ZDS 2030** can be used as a 4th/5th axis in CNC machines for fine workshops or in the handling area.

It is a combination of ZD 30 and the modified version of ZR 20.

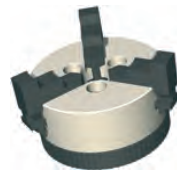
ZDS 2030 enables 5-side machining or free-form surface machining on a conventional 3-axis system of easily machinable materials (e.g. plastic).

The tilting angle is 139° in both directions.

Ordering data

Rotary tilting unit ZDS 2030
Part no.: **265000 0000**

Accessories



Chuck assembly
3-jaw chuck Ø 65
Part no.: **269060 2065***

* including flange



Clamping ring housing
SK 20 clamping ring housing for tools Ø 3 - 13 mm, with installation ring
Part no.: **239172 0020**
Clamping rings are on page 5-32.

dimensioned drawing

