

CNC control units

iOP-19-TFT / iOP-19-CPU



Common features

- robust aluminium housing (standard color: RAL 3011 / red)
- 19" touch screen display
- easy mounting option for keyboard
- user-friendly approach via high-adjustable arm
- easy mounting via VESA mounting 100/100
- 3 USB ports

Features iOP-19-TFT

- protection class IP 50
- dimensions (without keyboard): W 480 x D 123 x H 450 mm
- weight: approx. 15kg

Features iOP-19-CPU

- protection class IP 40 and IP 50
- motherboard 64 bit / CPU IntelCore I3
- additional a network connection (LAN)
- dimensions (without keyboard): W 480 x D 196 x H 450 mm
- weight: approx. 16kg

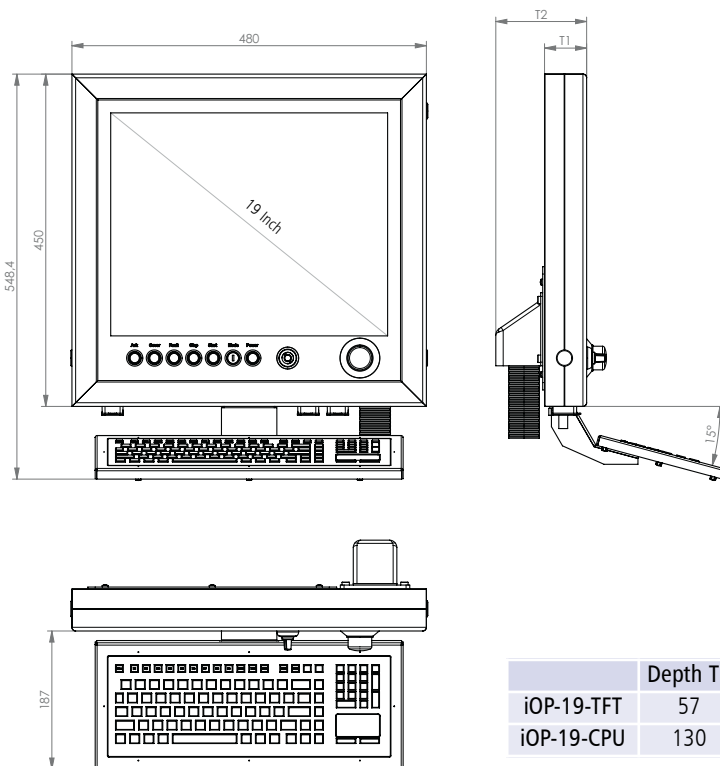
General

The CNC control units iOP-19 are a revised version of the previous isel control panels iBP. All experiences have been incorporated into the new development of the iOP-19. They have an integrated 19" touch screen monitor, a silicone keyboard as well as a control panel with stainless steel buttons and emergency stop switch. A PC can be connected and operated via the lead-out standard connecting cables. The iOP-19-CPU has an isel CAN.

Options

- simple keyboard and mouse tray
- high-quality silicon keyboard (protection class: IP68)
 - in German and English
 - 105 keys, with touchpad
- foot
- Two-hand operation
- RAL 9005 (black) or graphite hammer

Dimensioned drawings



	Depth T1	Depth T2
iOP-19-TFT	57	123
iOP-19-CPU	130	196

Technical specifications subject to change.

Ordering Data

Control panel **iOP-19-TFT**, RAL 3011 (red)
Part-no.: **371100 1000**

Control panel **iOP-19-CPU**, RAL 3011 (red)
Part-no.: **371101 1000**

German keyboard, RAL 3011 (red)
Part-no.: **371200 0001**

English keyboard, RAL 3011 (red)
Part-no.: **371200 0002**

Swivel arm for profile PS 50
Part-no.: **371050 2020**

Swivel arm for profile PS 80
Part-no.: **371050 2040**

Swivel arm for profile 100
Part-no.: **371050 2050**

Swivel arm for profile 125
Part-no.: **371050 2060**

Swivel arm for profile PS 140
Part-no.: **371050 2070**

Swivel arm for profile PV 150
Part-no.: **371050 2080**