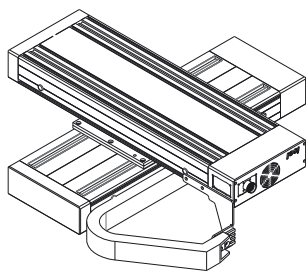
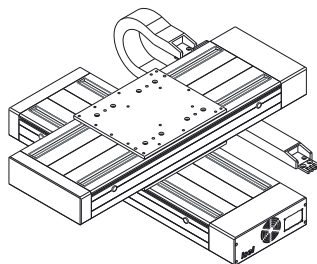


Combination examples LES ... with cable drag chain 9



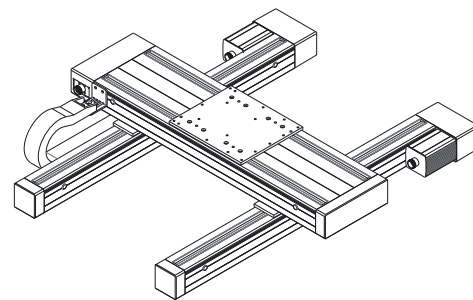
Crossbench

2 x LES 5
 PS 4 with VP 2
 Fixing cable drag chain 9
 Slide on slide assembly



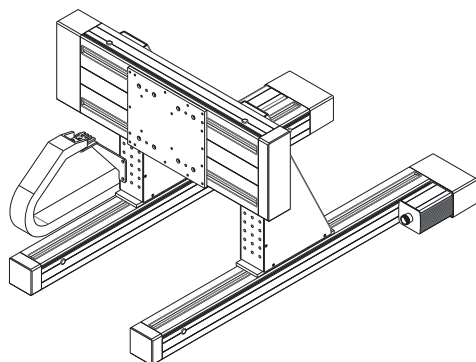
Crossbench

2 x LES 5
 PS 4 with VP 2
 Fixing cable drag chain 9
 Profile on slide assembly



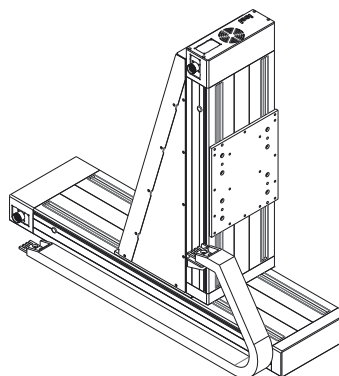
2-axis H-design

2 x LES 4, LES 5, 2 x PS 2, PS 4,
 Fixing cable drag chain 9
 Gantry mode



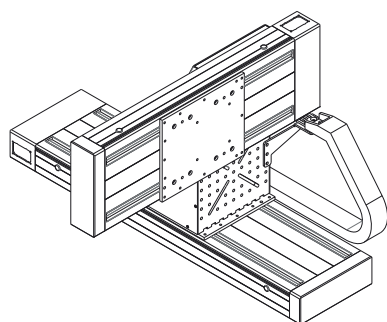
2-axis flatbed configuration

2 x LES 4, LES 5, 2 x PS 2
 2 x WV 2, PS 4, Fixing cable drag chain 9
 Gantry mode



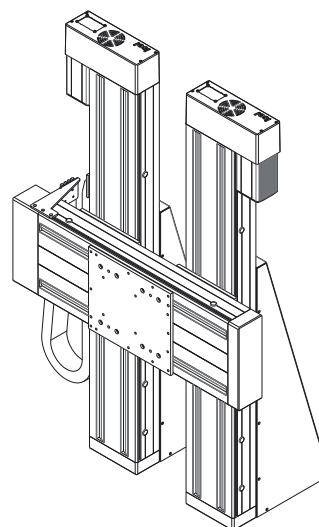
2-axis lifting configuration

2 x LES 5, 2 x PS 4, WV 6,
 Fixing cable drag chain 9



2-axis boom configuration

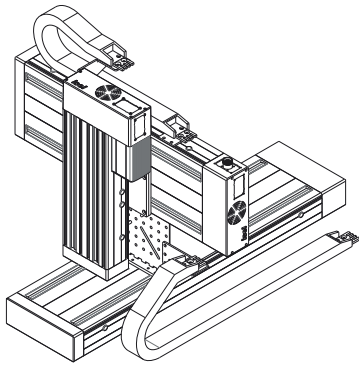
2 x LES 5
 2 x PS 4
 WV 3
 Fixing cable drag chain 9



2-axis H-design

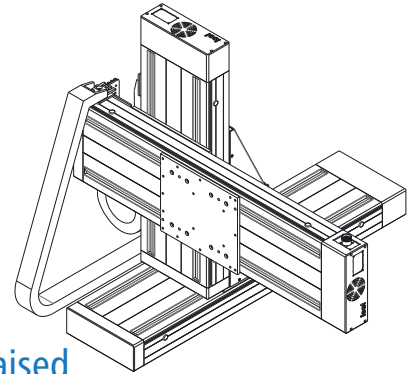
LES 5, 2 x LES 6, 2 x WV 7,
 2 x PS 12, PS 4,
 Fixing cable drag chain 9,
 Gantry mode

Combination examples LES ... with cable drag chain 9



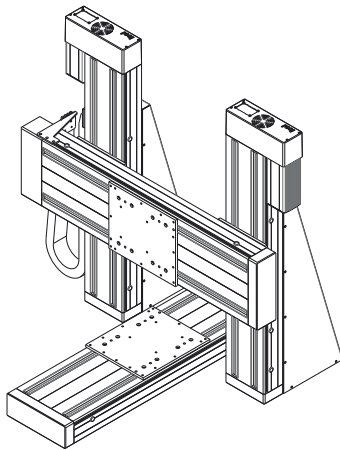
3-axis boom configuration

2 x LES 5, LES 6, WV 3, PS 4, PS 7, Fixing cable drag chain 9



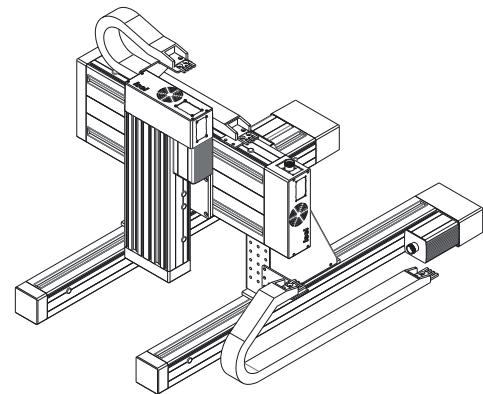
3-axis raised configuration

3 x LES 5, WV 3, 2 x PS 4, VP 2, Fixing cable drag chain 9



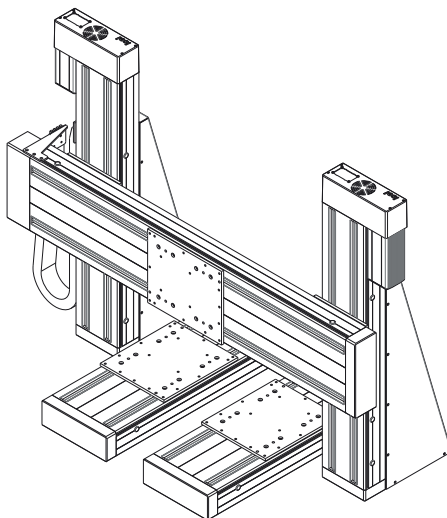
3-axis portal configuration

2 x LES 5, 2 x LES 6, 2 x WV 7, 2 x PS 4, 2 x PS 12, Gantry mode, Fixing cable drag chain 9



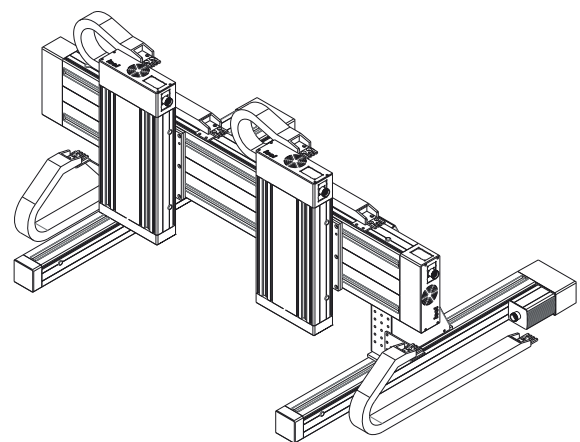
3-axis flatbed configuration

2 x LES 4, LES 5, LES 6, 2 x PS 2, 2 x WV 2, PS 4, PS 7, Fixing cable drag chain 9, Gantry mode



4-axis portal configuration

3 x LES 5, 2 x LES 6, 2 x WV 7, 3 x PS 4, 2 x PS 12, Fixing cable drag chain 9



5-axis flatbed configuration

2 x LES 5 (Z-axis), LES 5 (2 spindle drives)
2 x LES 4, 2 x PS 2, 2 x WV 2,
2 x PS 4 with VP 2
Fixing cable drag chain 9