

HFS 800



HFS 800

FEATURES

- solid 2-pole three-phase motor
- round design
- protection class IP 54, insulation class F, CE
- motor shaft for holding ER 11 clamping jaws
- rated power 0.8 kW
- speed range 5,000 – max. 24,000 rpm
- torque 0.32 Nm (at 24,000 rpm)
- rated voltage 220 V
- manual tool changer
- clamping range \varnothing 0.5 - 7.0 mm
- self ventilated at B side
- connection M23
- speed control by frequency converter
- concentricity: 0.01 mm
- weight: 2.9 kg

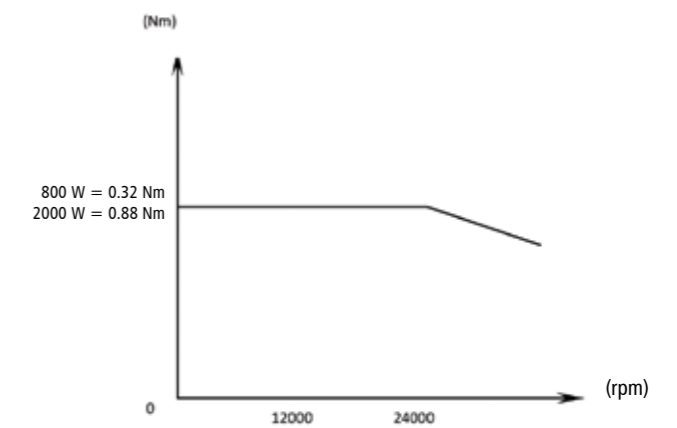
OPTIONAL

- clamping block
- frequency converter
- brake resistor
- exhaust system
- range of different collets ER 11
- various lengths of connection leads

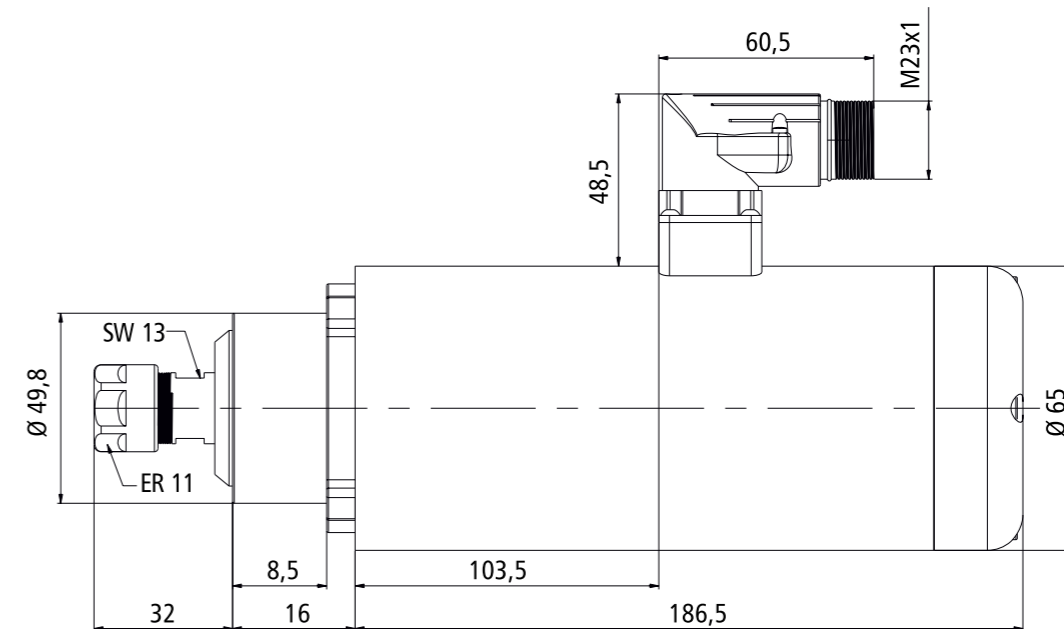
TECHNICAL SPECIFICATION

Torque at rated speed (24,000 rpm)	Nm	0.32
Speed range	rpm	5,000 ... max. 24,000
Cut-off frequency** / Speed	Hz / rpm	400 / 24,000
Number of poles		2
Rated voltage	V	220
Rated current	A	2.5
cos Φ		0.9
Rated power	kW	0.8
Concentricity	mm	0.01
Weight	kg	2.9

TORQUE CURVES



DIMENSIONED DRAWINGS



ORDERING INFORMATION

Item name		Part no.
HFS 800	asynchronous spindle 0,8 kW with collet ER 11 (3 mm and 6 mm)	477008 30240
HFS 800 with converter*	with collet ER 11 (6 mm), connection lead 8 m	310802 2014
Hedy frequency converter	vector controlled, 750 VA (1-phase)	311802 1000
Collet set ER 11	1.0 / 1.5 / 2.0 / 2.5 / 3.0 / 3.5 / 4.0 / 4.5 / 5.0 / 5.5 / 6.0 / 6.5 / 7.0 mm	239170 0001
Clamping block SB 65	with slide nuts and screws	290904 0065

*converter pre-set for spindle

**cut-off frequency = frequency to which the motor effect is designed

Hedy frequency converter 750 VA
(see page 33)connection lead
3 m or 5 mCollet
ER 11
(see page 40)Clamping
block SB 65
(see page 47)

HFS 1500



HFS 1500

FEATURES

- solid 2-pole three-phase motor
- round design
- protection class IP 54, insulation class F, CE
- motor shaft for holding ER 16 clamping jaws
- rated power 1.5 kW
- speed range 5,000 – max. 24,000 rpm
- torque 0.6 Nm (at 18,000 rpm)
- rated voltage 220 V
- manual tool changer
- clamping range \varnothing 0.5 - 10.0 mm
- self ventilated at B side
- connection M23
- speed control by frequency converter
- concentricity: 0.01 mm
- weight: 4.4 kg

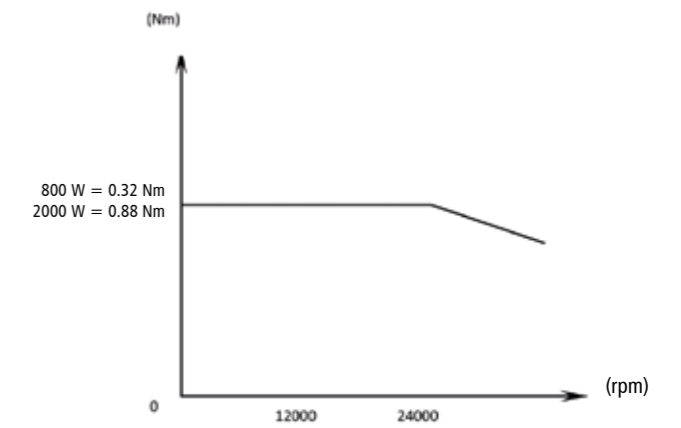
OPTIONAL

- clamping block
- frequency converter
- brake resistor
- exhaust system
- range of different collets ER 16
- various lengths of connection leads

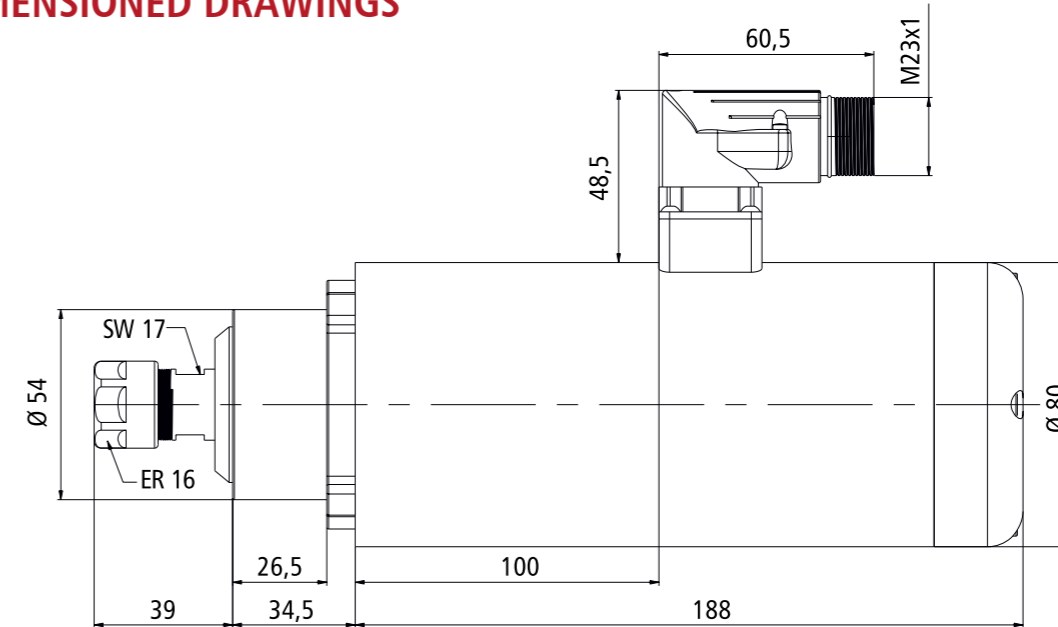
TECHNICAL SPECIFICATION

Torque at rated speed (24.000 rpm)	Nm	0.6
Speed range	rpm	5,000 ... max. 24,000
Cut-off frequency** / Speed	Hz / rpm	400 / 24,000
Number of poles		2
Rated voltage	V	220
Rated current	A	5.0
cos Φ		0.9
Rated power	kW	1.5
Concentricity	mm	0.01
Weight	kg	4.4

TORQUE CURVES



DIMENSIONED DRAWINGS



ORDERING INFORMATION

Item name		Part no.
HFS 1500	asynchronous spindle 1,5 kW with collet ER 16 (6 mm)	477015 3024
HFS 1500 with converter*	with collet ER 16 (6 mm), connection lead 8 m	310815 2014
Hedy frequency converter	vector controlled, 1500 VA (1-phase)	311802 2000
Collet set ER 16	1.0 / 2.0 / 3.0 / 4.0 / 5.0 / 6.0 / 7.0 / 8.0 / 9.0 / 10.0 mm	239171 0001
Clamping block SB 80	with slide nuts and screws	290904 0080

*converter pre-set for spindle

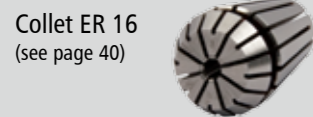
**cut-off frequency = frequency to which the motor effect is designed



Hedy frequency converter 1500 VA
(see page 33)



connection lead
3 m or 5 m



Collet ER 16
(see page 40)



Clamping
block SB 80
(see page 47)

HFS 2200



HFS 2200

FEATURES

- solid 2-pole three-phase motor
- round design
- protection class IP 54, insulation class F, CE
- motor shaft for holding ER 20 clamping jaws
- rated power 2.2 kW
- speed range 5,000 - max. 24,000 rpm
- torque 0.88 Nm (at 24,000 rpm)
- rated voltage 220 V
- manual tool changer
- clamping range \varnothing 0.5 - 10.0 mm
- self ventilated at B side
- connection M23
- speed control by frequency converter
- concentricity: 0.01 mm
- weight: 5.6 kg

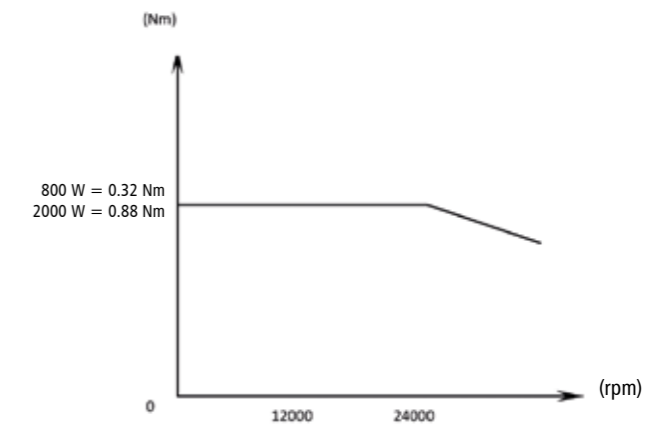
OPTIONAL

- clamping block
- frequency converter
- brake resistor
- exhaust system
- range of different collets ER 16
- various lengths of connection leads

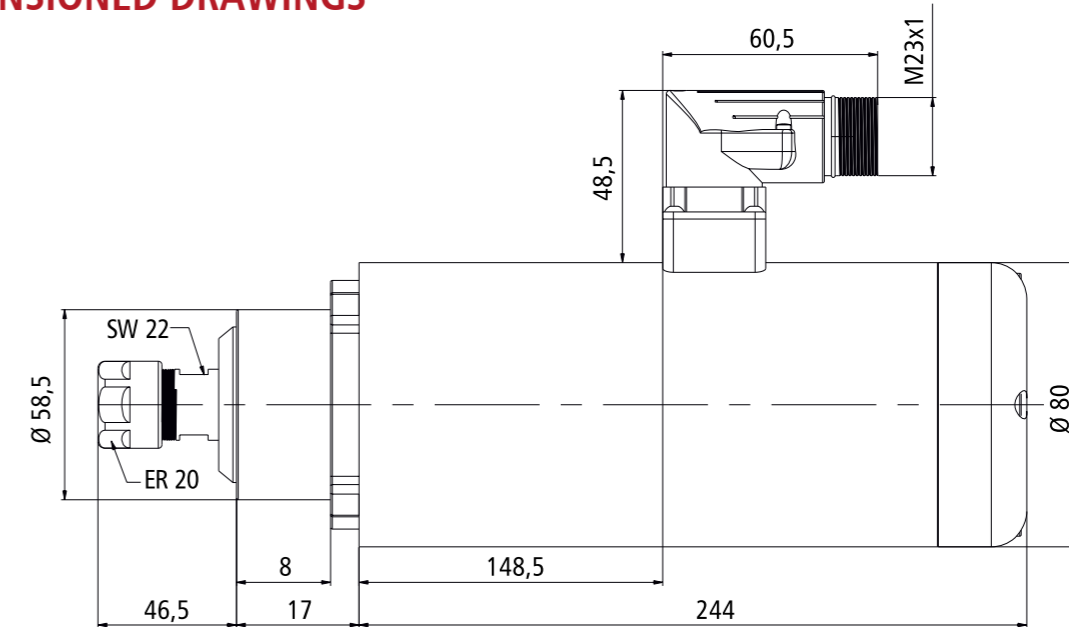
TECHNICAL SPECIFICATION

Torque at rated speed (24.000 rpm)	Nm	0.88
Speed range	rpm	5,000 ... max. 24,000
Cut-off frequency** / Speed	Hz / rpm	400 / 24,000
Number of poles		2
Rated voltage	V	220
Rated current	A	8.0
cos Φ		0.9
Rated power	kW	1.5
Concentricity	mm	0.01
Weight	kg	5.6

TORQUE CURVES



DIMENSIONED DRAWINGS



ORDERING INFORMATION

Item name		Part no.
HFS 2200	asynchronous spindle 1,5 kW with collet ER 20 (12 mm)	477022 30240
HFS 2200 with converter*	with collet ER 20 (12 mm), connection lead 8 m	310822 2014
Hedy frequency converter	vector controlled, 1500 VA (1-phase)	311802 2000
Collet set ER 20	2.0 / 3.0 / 4.0 / 5.0 / 6.0 / 7.0 / 8.0 / 9.0 / 10.0 / 11.0 / 12.0 / 13.0 mm	239172 0001
Clamping block SB 80	with slide nuts and screws	290904 0080

*converter pre-set for spindle

**cut-off frequency = frequency to which the motor effect is designed



Hedy frequency converter 1500 VA (see page 33)



connection lead 3 m or 5 m

Collet ER 20 (see page 40)



Clamping block SB 80 (see page 47)