

Configurable machine base frames

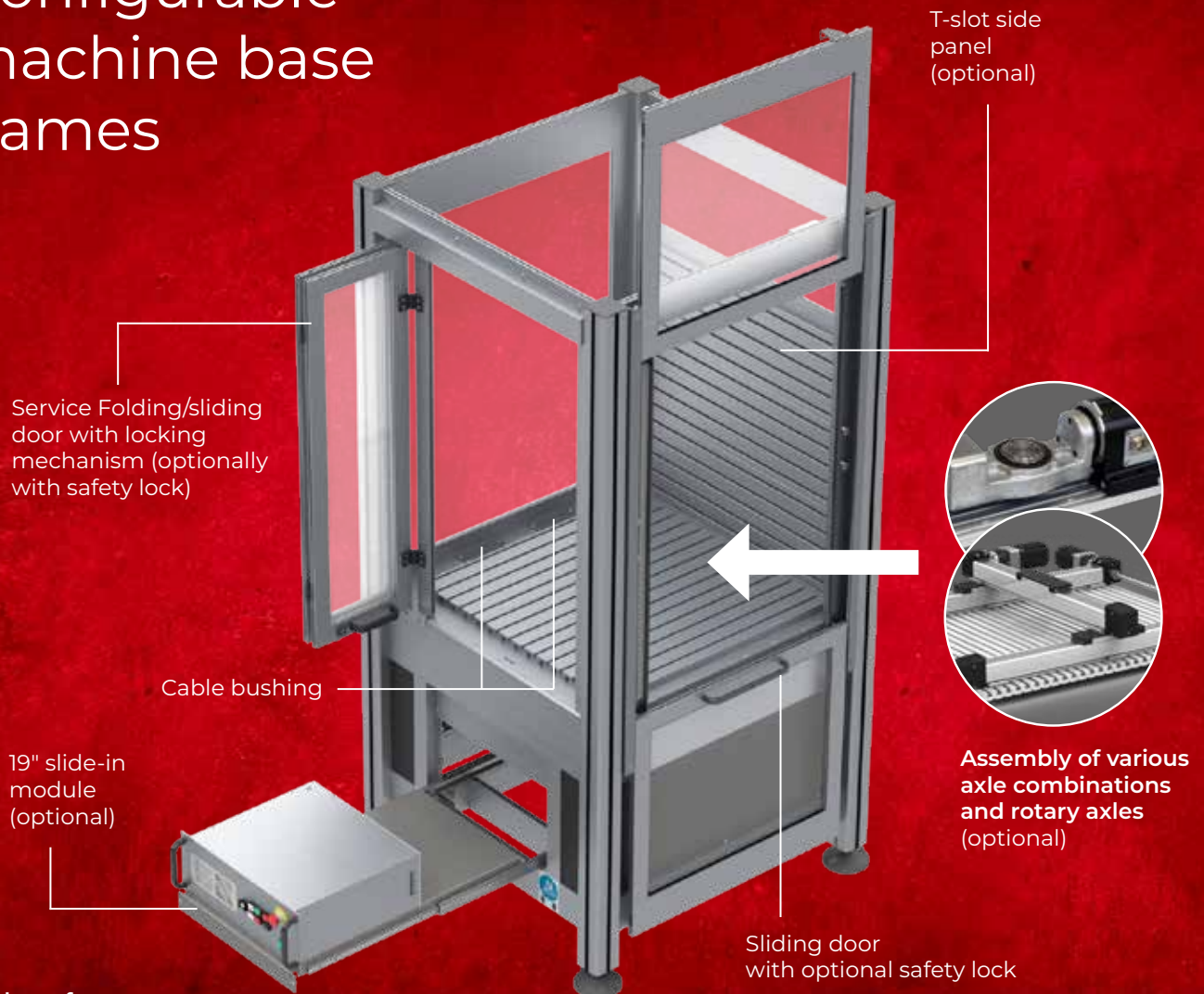


Fig. base frame

Safe enclosure of axle systems and handling systems

- individual base frame for your application
- freely configurable
- various door systems and service doors
- dimensions according to your specifications and requirements
- optional safety lock
- free design of the cladding (safety glass, sheet metal, decor, laser safety glass, etc.)
- T-slot table surface and back panel for free design
- optional 19" plug-in unit for control unit, control computer etc.
- can be extended with operating terminal, control cabinet, safety light barriers

Your complete solution with high flexibility and short delivery times.

Dimensioned drawing | Base frame

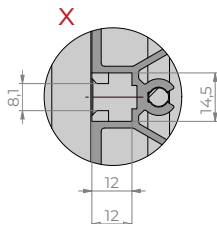
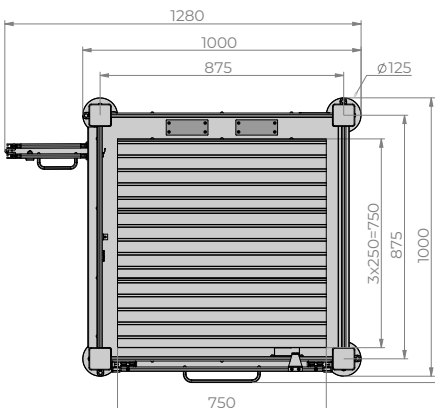
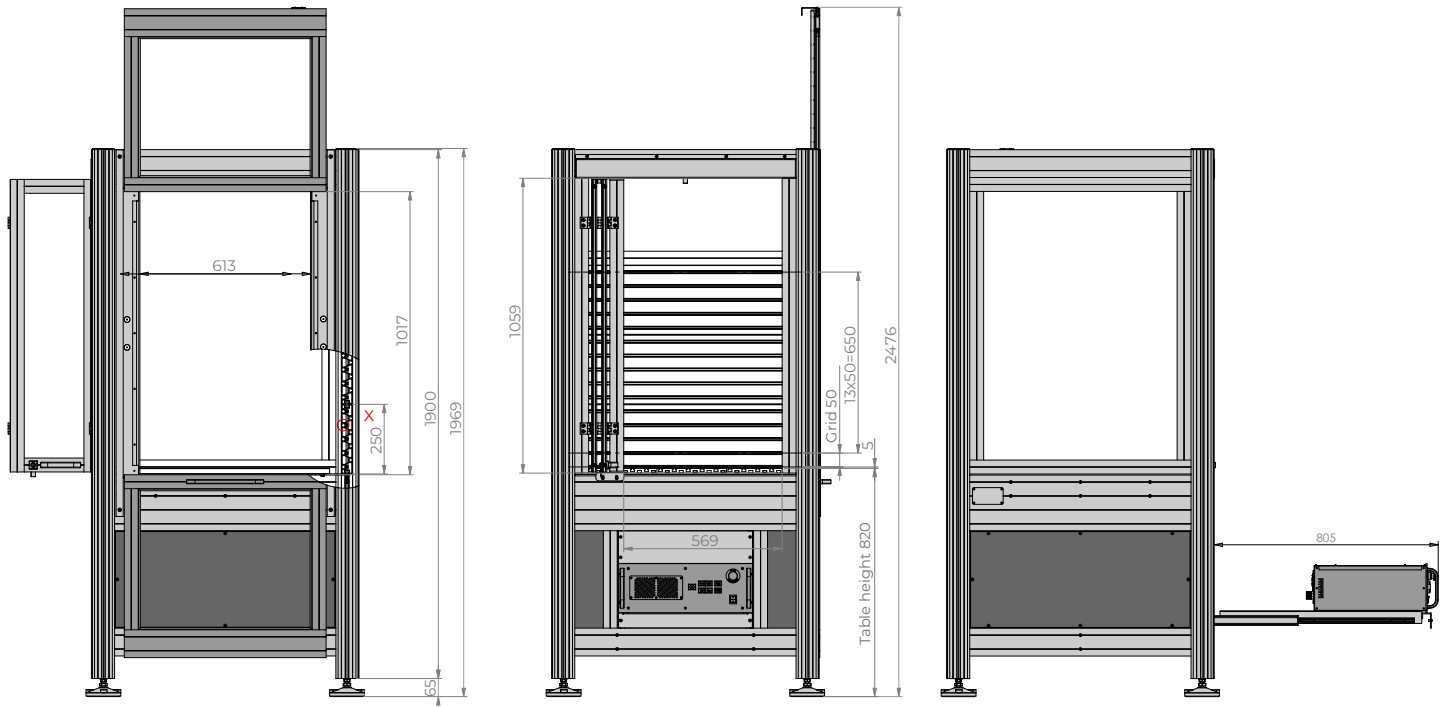


Fig. base frame

Customized production
We create your customized machine frame together with you!

For further information, please contact our competent sales team:

Katja Henkel
 Tel.: +49 6672 86792-744
 Mail: Katja.Henkel@isel.com

Steffan Gärt
 Tel.: +49 6659 981-773
 Mail: Steffan.Gaerth@isel.com